

# JVC

# SCHEMATIC DIAGRAMS

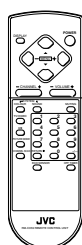
## COLOUR TELEVISION

BASIC CHASSIS

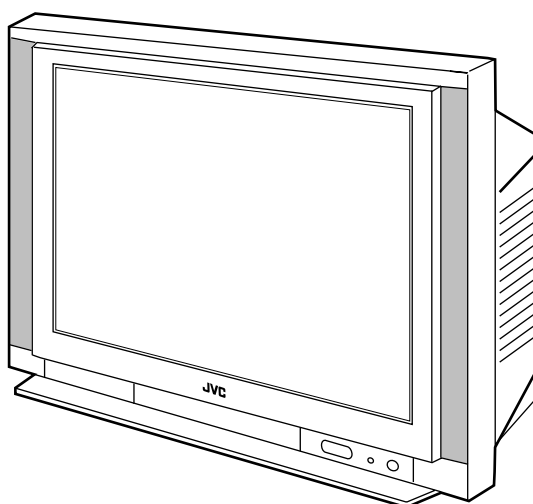
CH

# AV-25L81 (-BK) AV-29L81 (-BK)

CD-ROM No. SML200110



RM-C359-1C



# AV-25L81 (-BK) AV-29L81 (-BK) STANDARD CIRCUIT DIAGRAM

## NOTE ON USING CIRCUIT DIAGRAMS

### 1. SAFETY

The components identified by the  $\triangle$  symbol and shading are critical for safety. For continued safety replace safety critical components only with manufactures recommended parts.

### 2. SPECIFIED VOLTAGE AND WAVEFORM VALUES

The voltage and waveform values have been measured under the following conditions.

- (1) Input signal : Colour bar signal
- (2) Setting positions of each knob/button and variable resistor : Original setting position when shipped
- (3) Internal resistance of tester : DC 20k $\Omega$ /V
- (4) Oscilloscope sweeping time : H  $\Rightarrow$  20 $\mu$ S/div  
: V  $\Rightarrow$  5mS/div  
: Others  $\Rightarrow$  Sweeping time is specified.
- (5) Voltage values : All DC voltage values

\* Since the voltage values of signal circuit vary to some extent according to adjustments, use them as reference values.

### 3. INDICATION OF PARTS SYMBOL [EXAMPLE]

- In the PW board : R1209  $\rightarrow$  R209

### 4. INDICATIONS ON THE CIRCUIT DIAGRAM

#### (1) Resistors

##### • Resistance value

- No unit : [ $\Omega$ ]
- k : [k $\Omega$ ]
- M : [M $\Omega$ ]

##### • Rated allowable power

- No indication : 1/16 [W]
- Others : As specified

##### • Type

- No indication : Carbon resistor
- OMR : Oxide metal film resistor
- MFR : Metal film resistor
- MPR : Metal plate resistor
- UNFR : Non-Flammable resistor
- FR : Fusible resistor

\* Composition resistor 1/2 [W] is specified as 1/2S or Comp.

#### (2) Capacitors

##### • Capacitance value

- 1 or higher : [pF]
- less than 1 : [ $\mu$ F]

##### • Withstand voltage

- No indication : DC50[V]
- AC indicated : AC withstand voltage [V]
- Others : DC withstand voltage [V]

\* Electrolytic Capacitors

47/50[Example] : Capacitance value [ $\mu$ F]/withstand voltage[V]



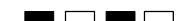
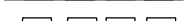
##### • Type

- No indication : Ceramic capacitor
- MY : Mylar capacitor
- MM : Metalized mylar capacitor
- PP : Polypropylene capacitor
- MPP : Metalized polypropylene capacitor
- MF : Metalized film capacitor
- TF : Thin film capacitor
- BP : Bipolar electrolytic capacitor
- TAN : Tantalum capacitor

### (3) Coils



- No unit : [ $\mu$ H]
- Others : As specified

### (4) Power Supply



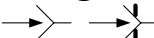
-  : B1
-  : B2(12V)
-  : 9V
-  : 5V

\* Respective voltage values are indicated


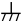
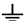

### (5) Test point

-  : Test point
-  : Only test point display

### (6) Connecting method

-  : Connector
-  : Wrapping or soldering
-  : Receptacle

### (7) Ground symbol

-  : LIVE side ground
-  : ISOLATED(NEUTRAL) side ground
-  : EARTH ground
-  : DIGITAL ground

## 5. NOTE FOR REPAIRING SERVICE

This model's power circuit is partly different in the GND. The difference of the GND is shown by the LIVE : (  $\perp$  ) side GND and the ISOLATED(NEUTRAL) : (  $\text{⏏}$  ) side GND. Therefore, care must be taken for the following points.

- (1) Do not touch the LIVE side GND or the LIVE side GND and the ISOLATED(NEUTRAL) side GND simultaneously. If the above caution is not respected, an electric shock may be caused. Therefore, make sure that the power cord is surely removed from the receptacle when, for example, the chassis is pulled out.
- (2) Do not short between the LIVE side GND and ISOLATED(NEUTRAL) side GND or never measure with a measuring apparatus ( oscilloscope, etc.) the LIVE side GND and ISOLATED(NEUTRAL) side GND at the same time. If the above precaution is not respected , a fuse or any parts will be broken.

• Since the circuit diagram is a standard one, the circuit and circuit constants may be subject to change for improvement without any notice.

# CONTENTS

**SEMICONDUCTOR SHAPES** ..... 2-2

**BLOCK DIAGRAM [AV-25L81-BK]** ..... 2-3

**CIRCUIT DIAGRAMS [AV-25L81-BK]**

**MAIN PWB CIRCUIT DIAGRAM (1/2) [AV-25L81-BK]** ..... 2-5

**MAIN (2/2) AND CRT SOCKET PWB CIRCUIT DIAGRAMS [AV-25L81-BK]** ..... 2-7

**PATTERN DIAGRAMS [AV-25L81-BK]**

**MAIN PWB PATTERN [AV-25L81-BK]** ..... 2-9

**CRT SOCKET PWB PATTERN [AV-25L81-BK]** ..... 2-11

**BLOCK DIAGRAM [AV-29L81-BK]** ..... 2-13

**CIRCUIT DIAGRAMS [AV-29L81-BK]**

**MAIN PWB CIRCUIT DIAGRAM (1/2) [AV-29L81-BK]** ..... 2-15

**MAIN PWB CIRCUIT DIAGRAM (2/2) [AV-29L81-BK]** ..... 2-17

**CRT SOCKET PWB CIRCUIT DIAGRAM [AV-29L81-BK]** ..... 2-19

**FRONT CONTROL PWB CIRCUIT DIAGRAM [AV-29L81-BK]** ..... 2-21

**PATTERN DIAGRAMS [AV-29L81-BK]**

**MAIN PWB PATTERN [AV-29L81-BK]** ..... 2-23

**CRT SOCKET PWB PATTERN [AV-29L81-BK]** ..... 2-25

**FRONT CONTROL PWB PATTERN [AV-29L81-BK]** ..... 2-26

## SEMICONDUCTOR SHAPES

### TRANSISTOR

BOTTOM VIEW	FRONT VIEW			TOP VIEW
				<b>CHIP TR</b> 

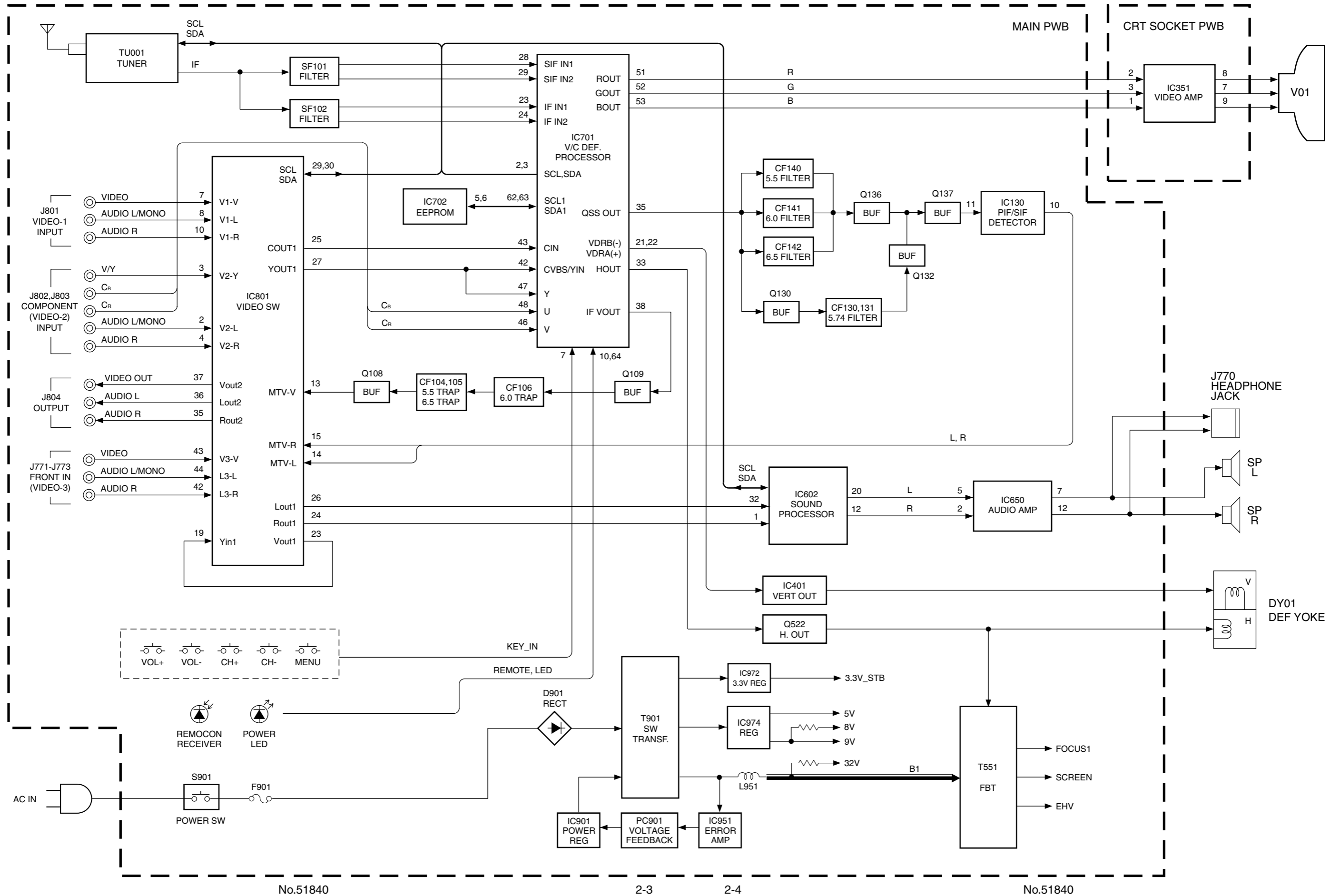
### IC

BOTTOM VIEW	FRONT VIEW		TOP VIEW

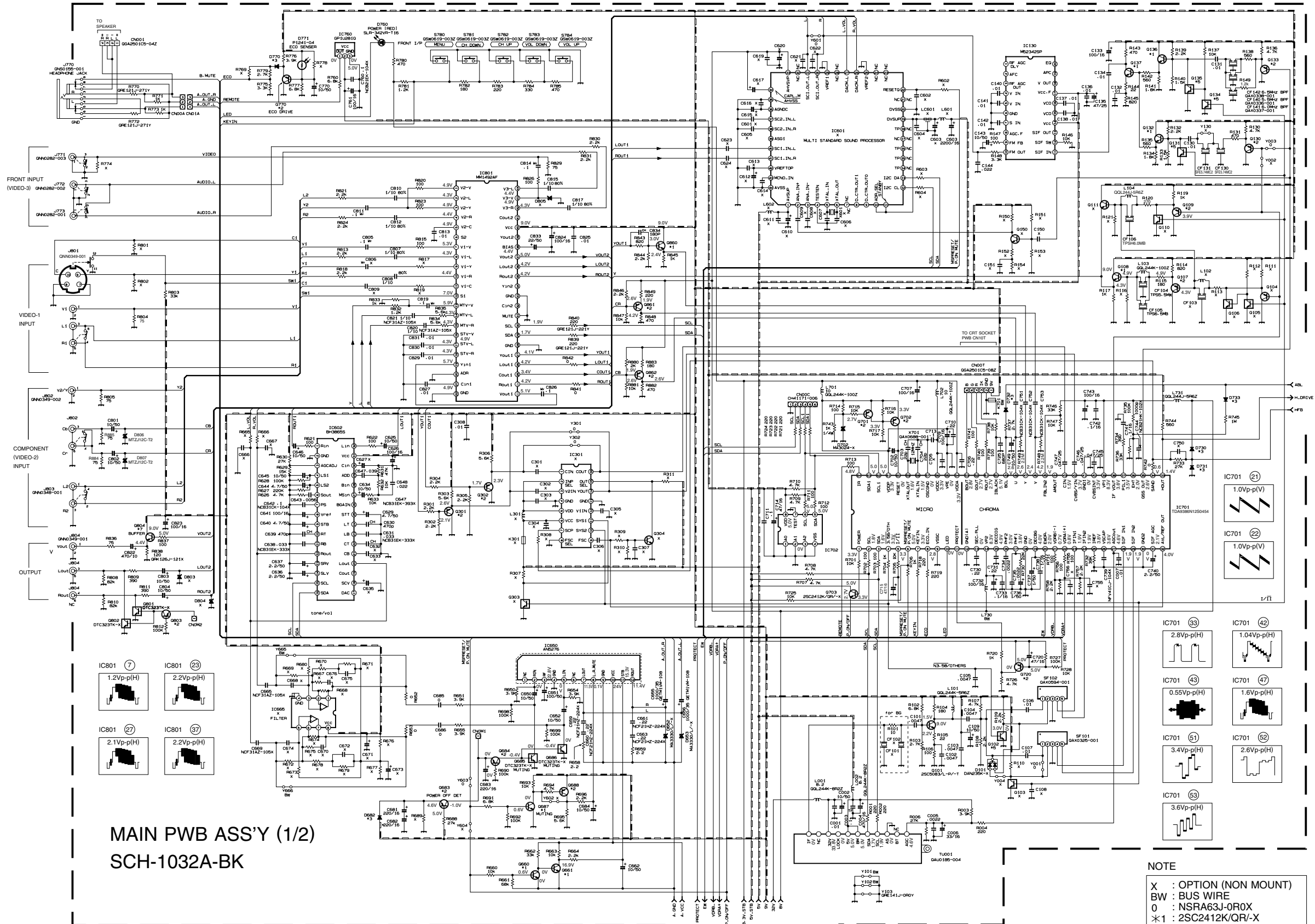
### CHIP IC

TOP VIEW	

# BLOCK DIAGRAM [AV-25L81-BK]



# CIRCUIT DIAGRAMS [AV-25L81-BK] MAIN PWB CIRCUIT DIAGRAM (1/2) [AV-25L81-BK]

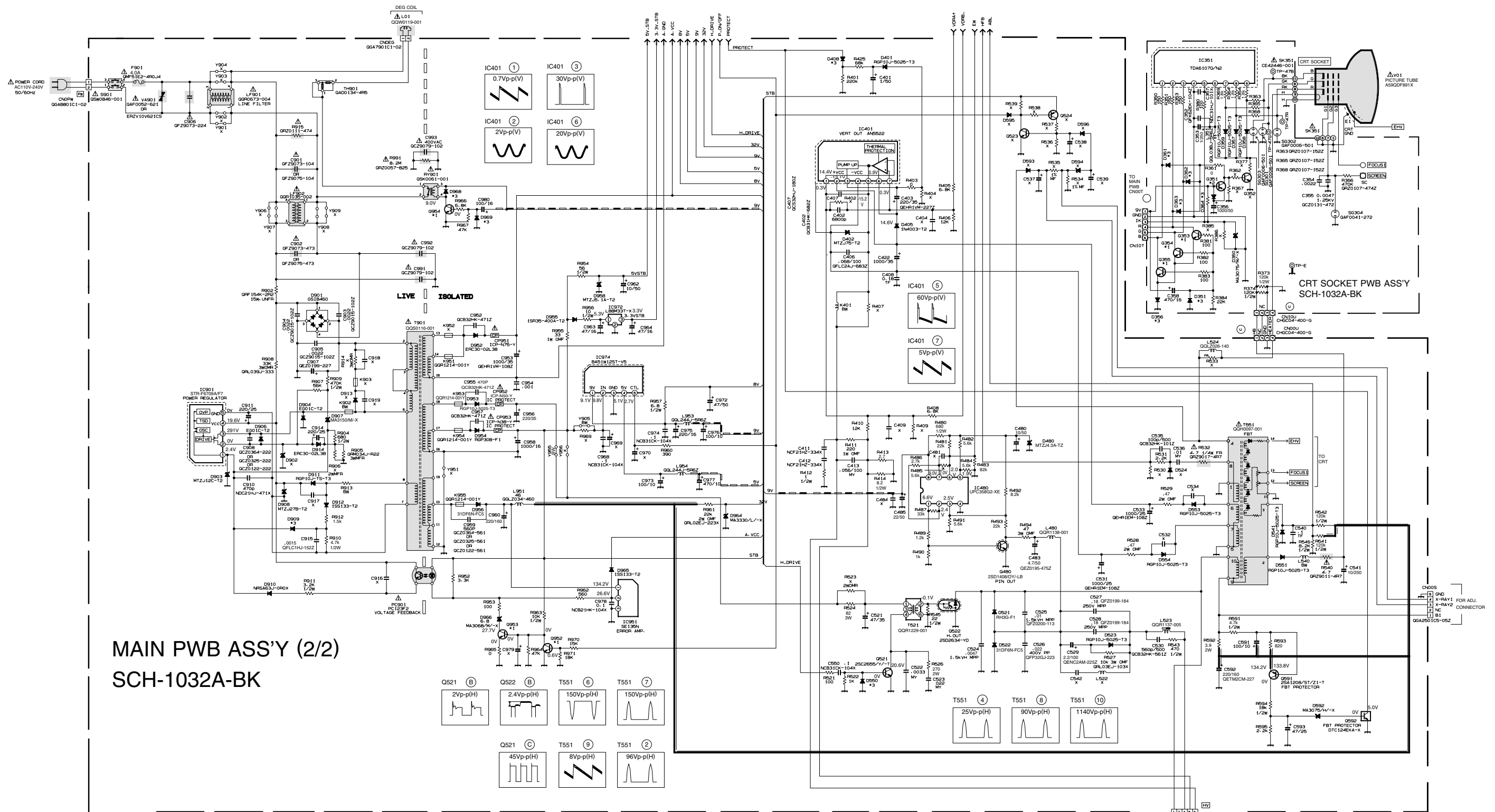


MAIN PWB ASS'Y (1/2)  
SCH-1032A-BK

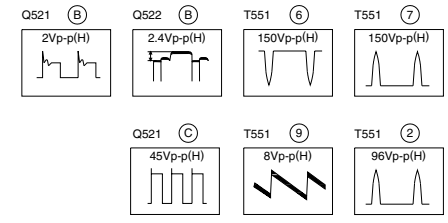
NOTE

- X : OPTION (NON MOUNT)
- BW : BUS WIRE
- 0 : NSRA63J-OR0X
- \*1 : 2SC2412K/QR/-X
- \*2 : 2SA1037AK/QR/-X
- \*3 : MA111-X
- \*5 : DTC124EKA-X
- \*7 : 2SC1740S/QR/-T

MAIN (2/2) AND CRT SOCKET PWB CIRCUIT DIAGRAMS [AV-25L81-BK]



MAIN PWB ASS'Y (2/2)  
SCH-1032A-BK

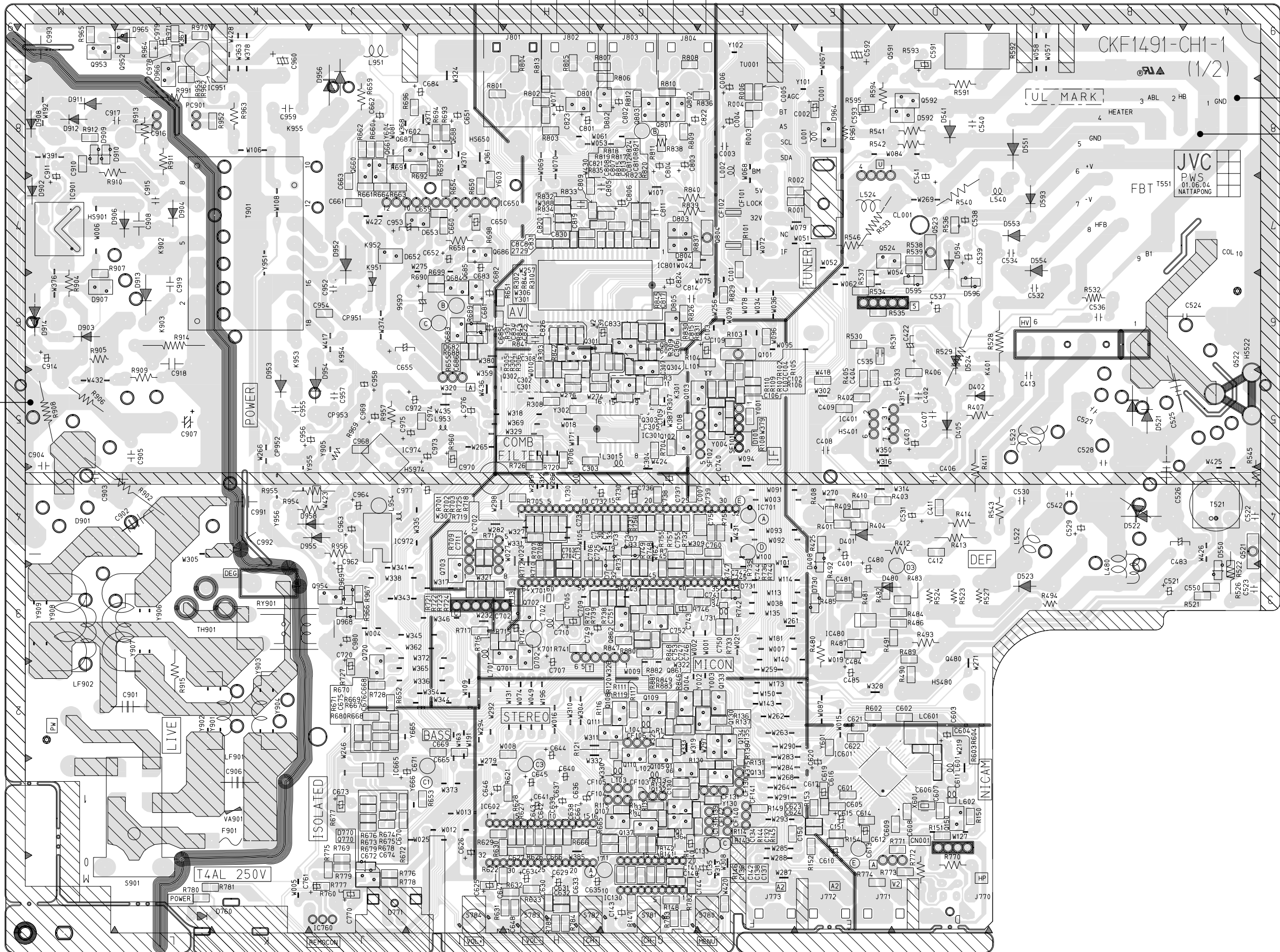


NOTE

- X : OPTION (NON MOUNT)
- BW : BUS WIRE
- 0 : NRSA63J-0R0X
- \*1 : 2SC2412K/QR-X
- \*2 : 2SA1037AK/QR-X
- \*3 : MA111-X

**PATTERN DIAGRAMS [AV-25L81-BK]**  
**MAIN PWB PATTERN [AV-25L81-BK]**

(T) ↓  
**FRONT**



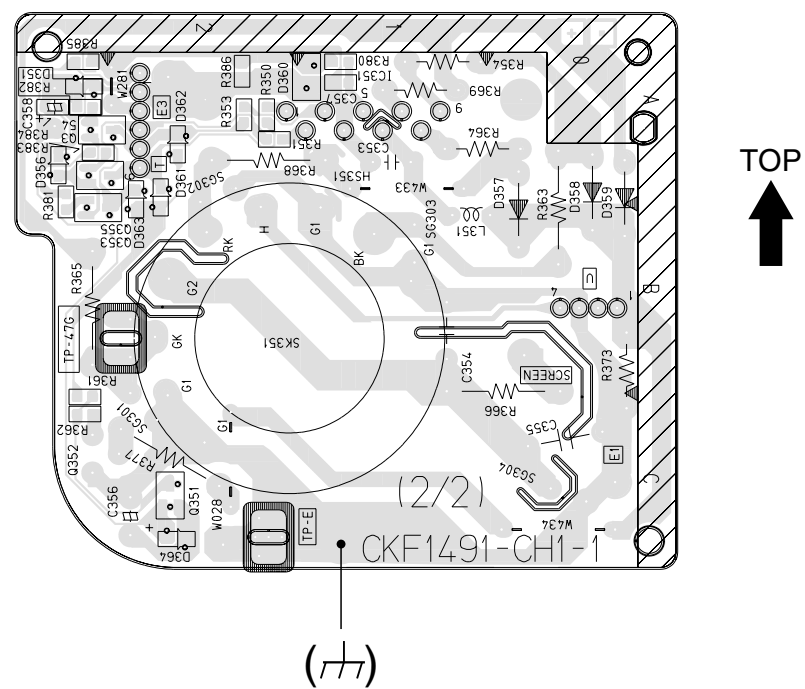
CKF1491-CH1-1  
(1/2)

UL MARK

JVC  
PWS  
01.06.04  
NATTAPONG

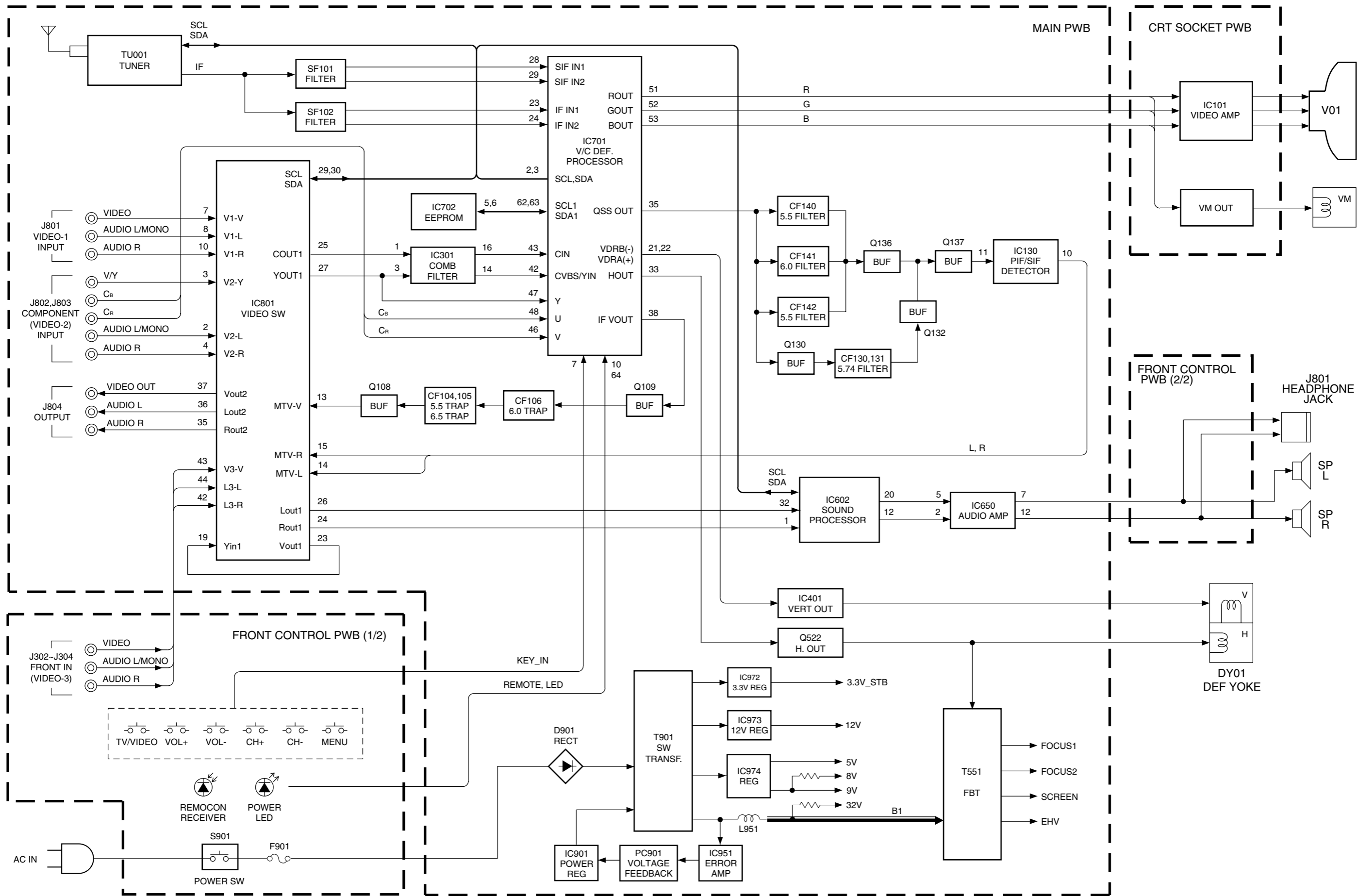
B1  
(T)

CRT SOCKET PWB PATTERN [AV-25L81-BK]

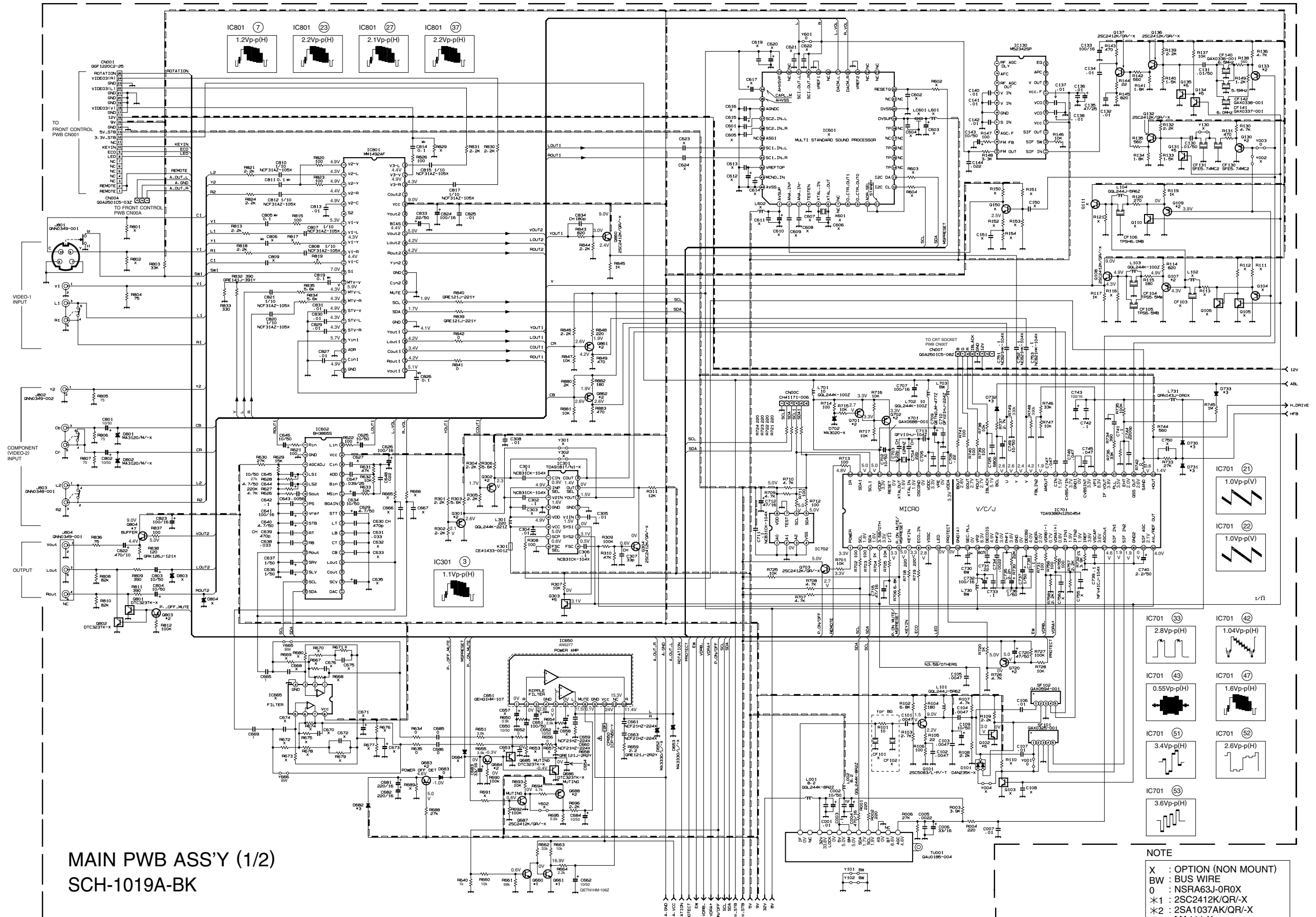




# BLOCK DIAGRAM [AV-29L81-BK]

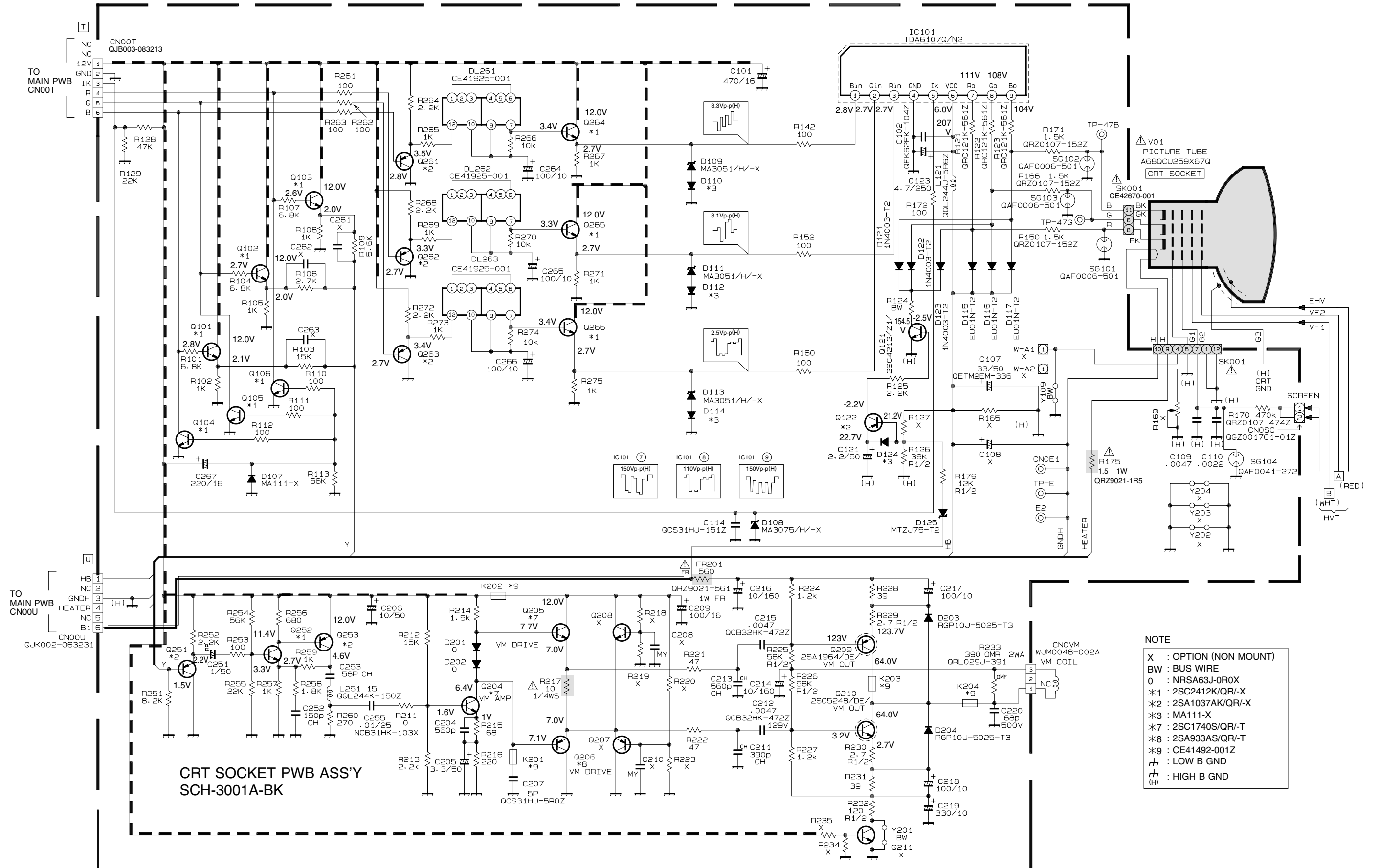


# CIRCUIT DIAGRAMS [AV-29L81-BK] MAIN PWB CIRCUIT DIAGRAM (1/2) [AV-29L81-BK]





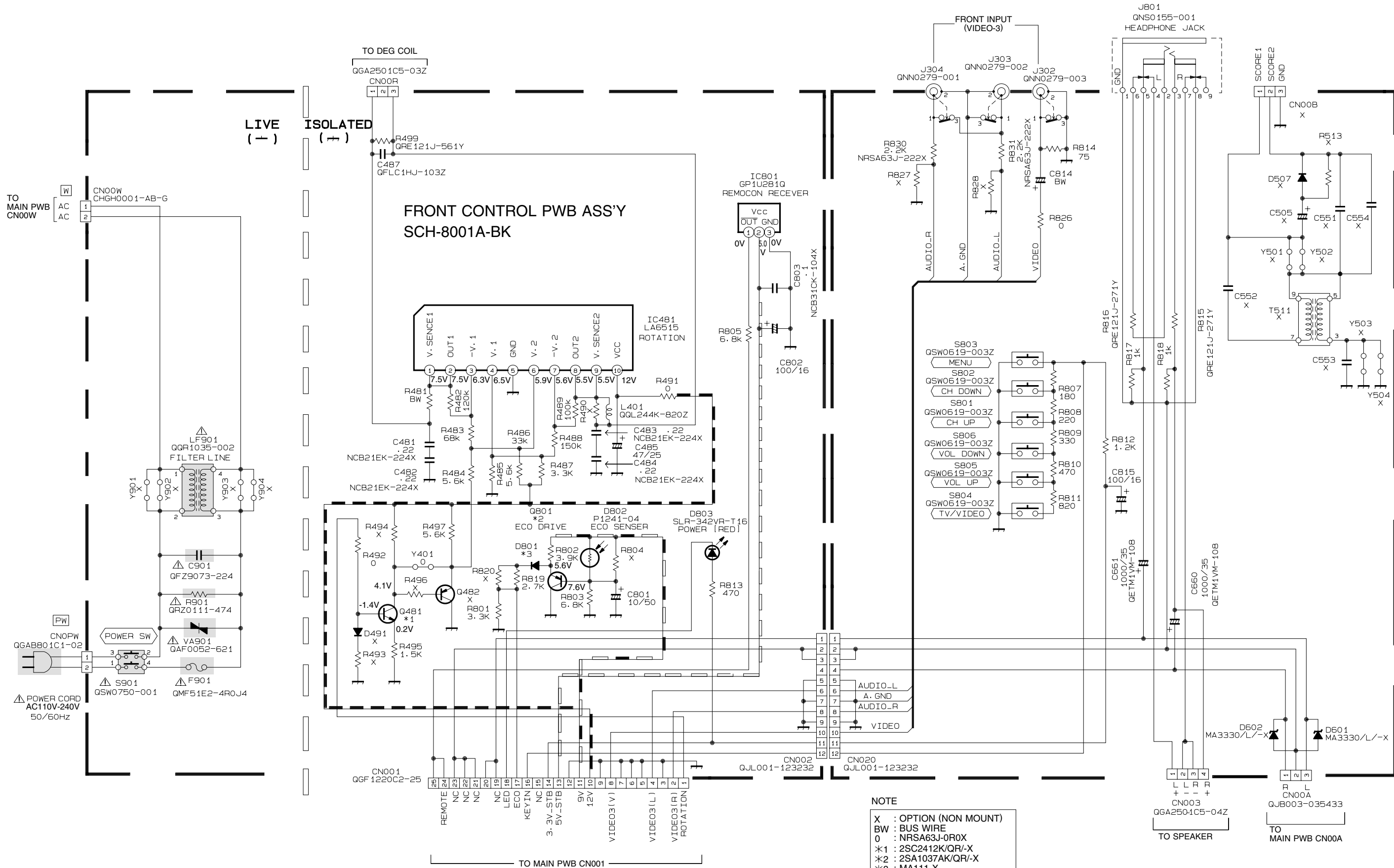
CRT SOCKET PWB CIRCUIT DIAGRAM [AV-29L81-BK]



**NOTE**

- X : OPTION (NON MOUNT)
- BW : BUS WIRE
- 0 : NRSA63J-0R0X
- \*1 : 2SC2412K/QR/-X
- \*2 : 2SA1037AK/QR/-X
- \*3 : MA111-X
- \*7 : 2SC1740S/QR/-T
- \*8 : 2SA933AS/QR/-T
- \*9 : CE41492-001Z
- ⊕ : LOW B GND
- (H) : HIGH B GND

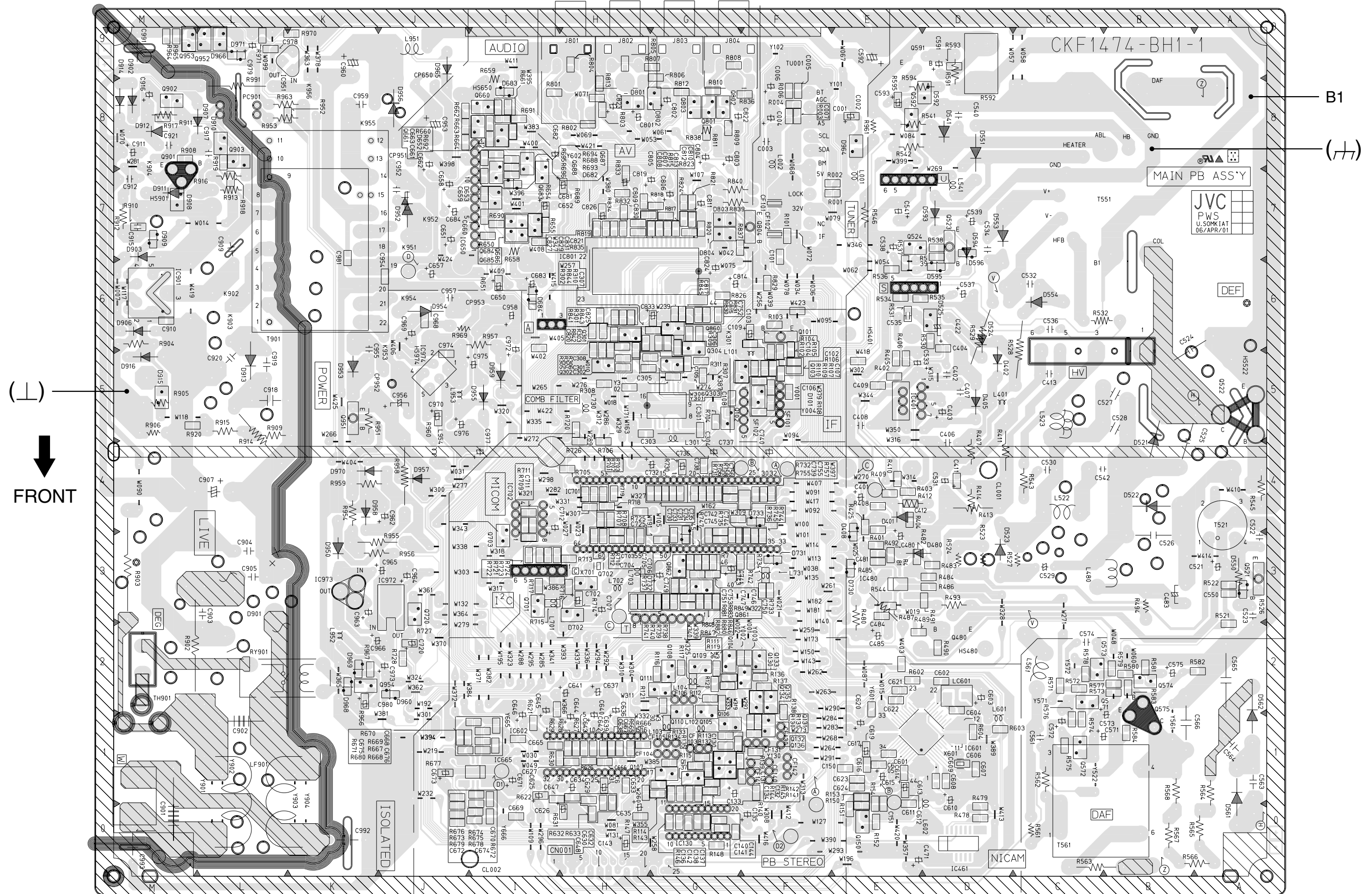
FRONT CONTROL PWB CIRCUIT DIAGRAM [AV-29L81-BK]



**NOTE**

- X : OPTION (NON MOUNT)
- BW : BUS WIRE
- 0 : NRSA63J-0R0X
- \*1 : 2SC2412K/QR/-X
- \*2 : 2SA1037AK/QR/-X
- \*3 : MA111-X

**PATTERN DIAGRAMS [AV-29L81-BK]**  
**MAIN PWB PATTERN [AV-29L81-BK]**

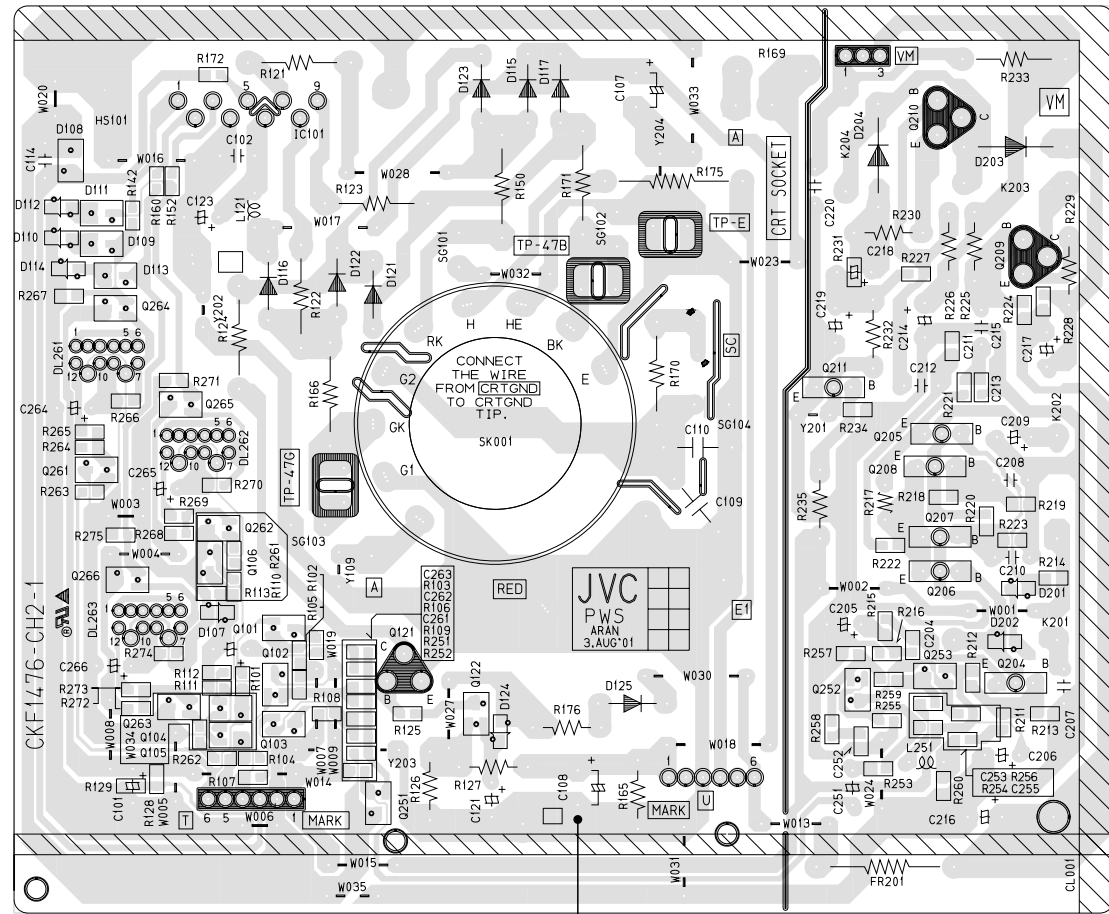


FRONT

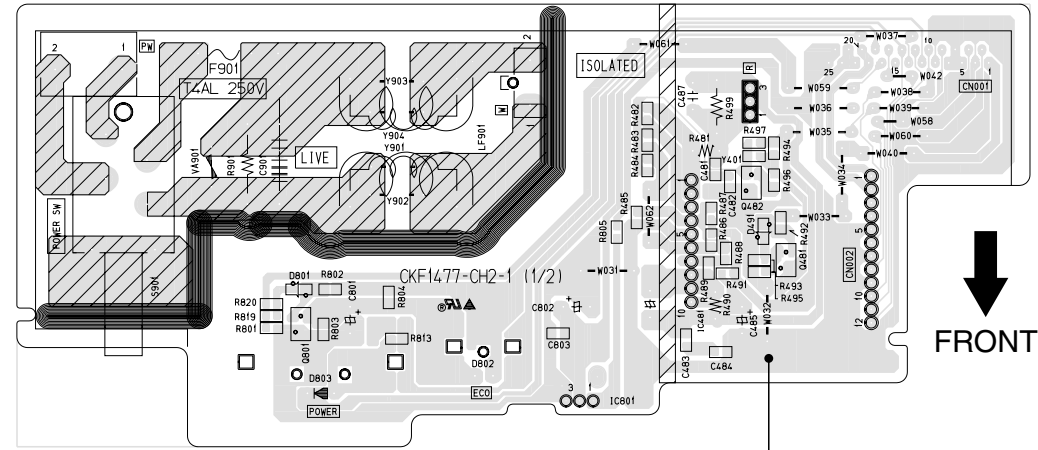
CRT SOCKET PWB PATTERN [AV-29L81-BK]

FRONT CONTROL PWB PATTERN [AV-29L81-BK]

— FRONT CONTROL (1/2) —

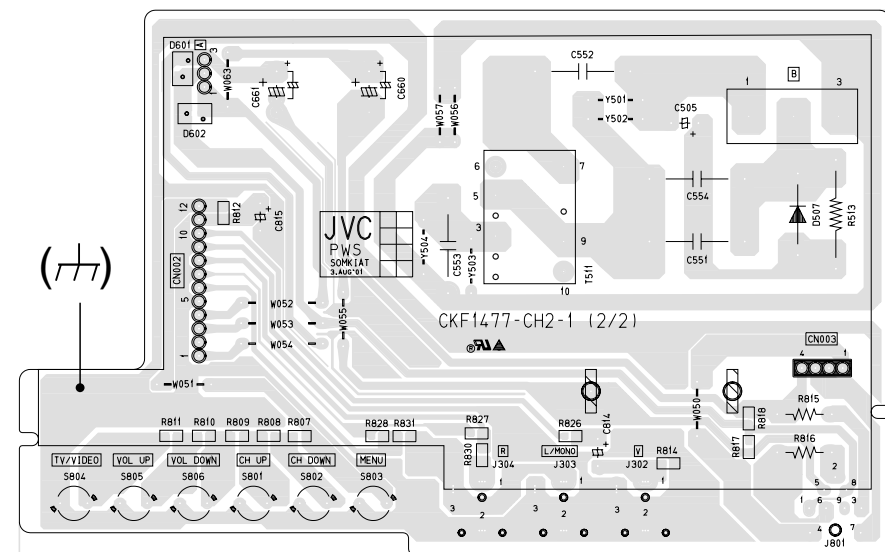


TOP  
↑



↓  
FRONT

— FRONT CONTROL (2/2) —



↓  
FRONT



# JVC

VICTOR COMPANY OF JAPAN, LIMITED

HOME AV NETWORK BUSINESS UNIT 12, 3-chome, Moriya-cho, kanagawa-ku, Yokohama, kanagawa-prefecture, 221-8528, Japan

AV25L81BK-BK #4  
AV29L81BK-BK #4



Printed in Japan  
VP0109  
SW